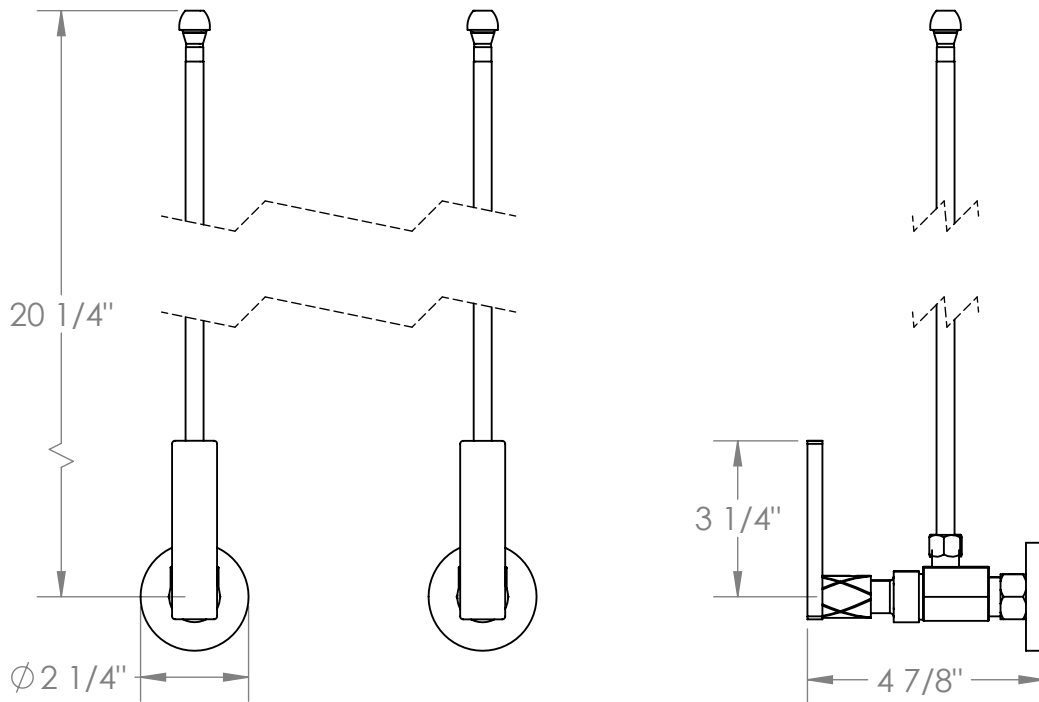
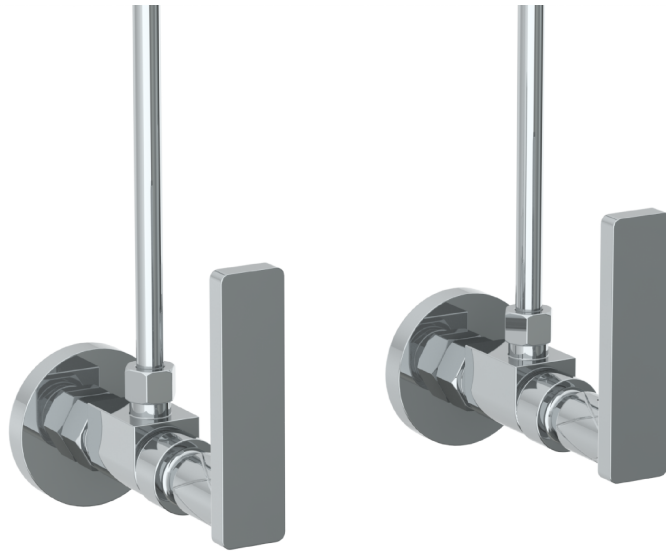


# 71-MAS1-LLD4

Lavatory Angle Stop Kit

1/2" Compression x 3/8" OD Compression

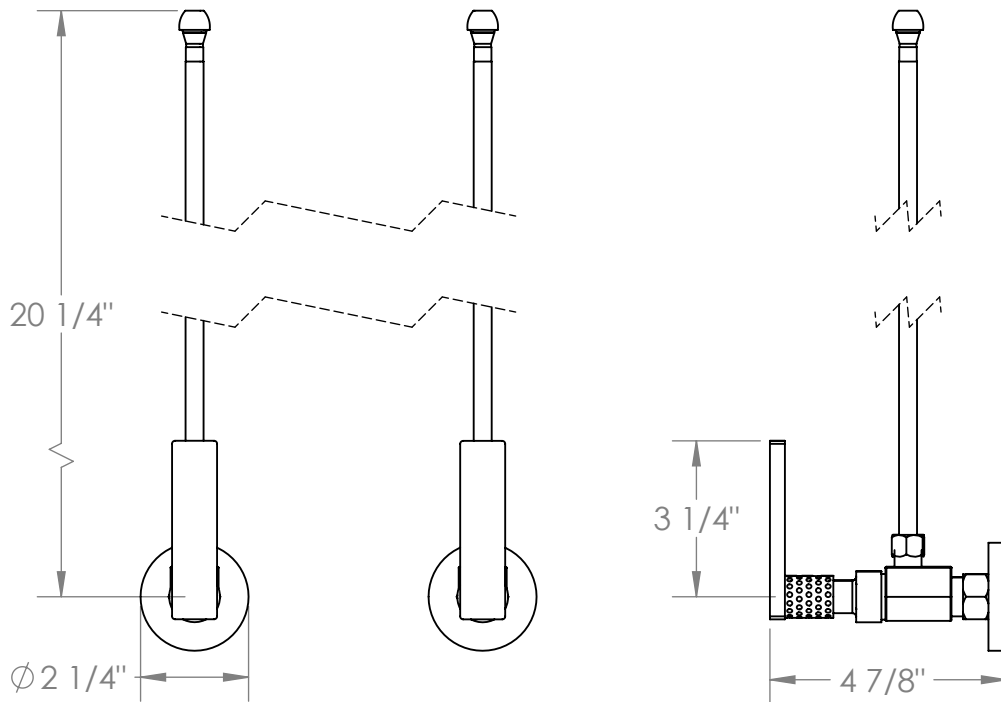
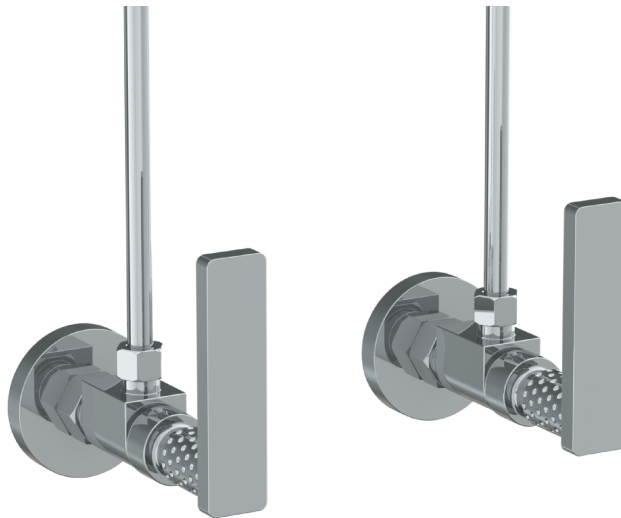


Meets the applicable requirements of ASME A112.18.1-2005/CSA B125.1-05, entitled "Plumbing Supply Fittings"

# 71-MAS1-LLP5

Lavatory Angle Stop Kit

1/2" Compression x 3/8" OD Compression

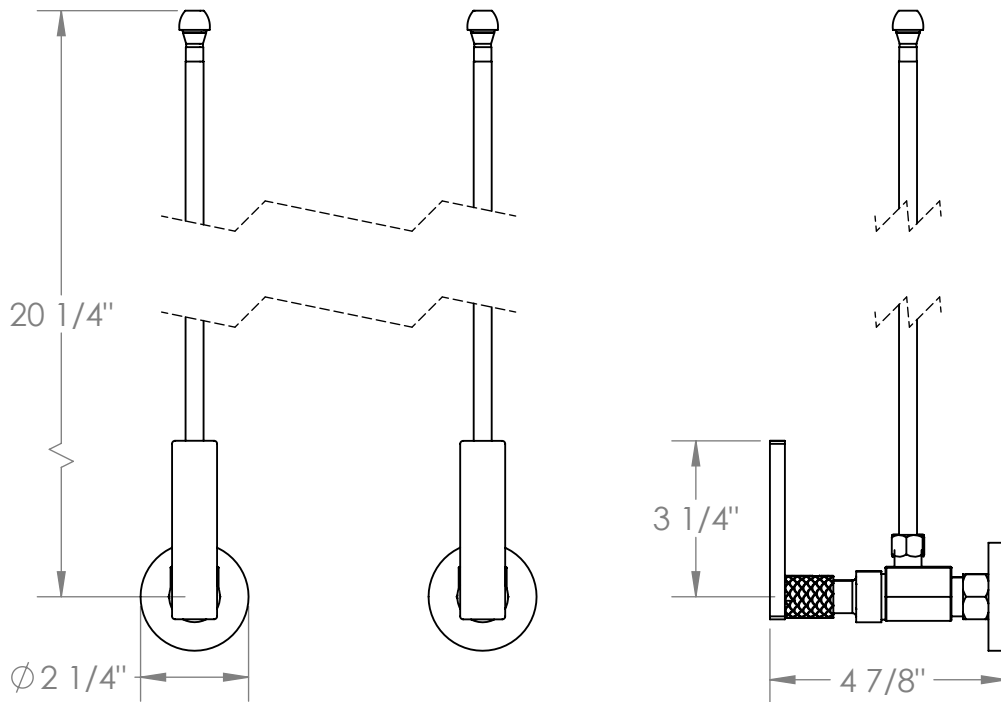
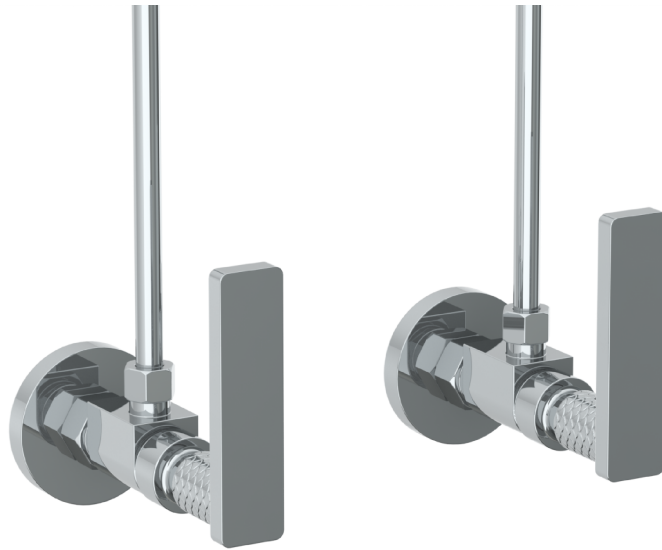


Meets the applicable requirements of ASME A112.18.1-2005/CSA B125.1-05, entitled "Plumbing Supply Fittings"

# 71-MAS1-LLO6

Lavatory Angle Stop Kit

1/2" Compression x 3/8" OD Compression



Meets the applicable requirements of ASME A112.18.1-2005/CSA B125.1-05, entitled "Plumbing Supply Fittings"